

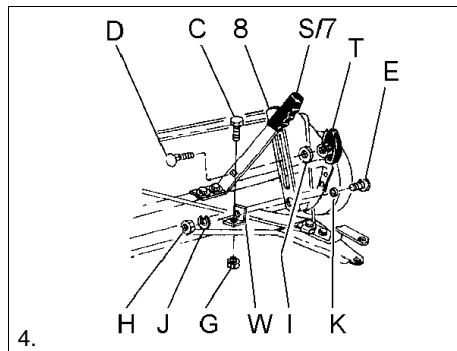
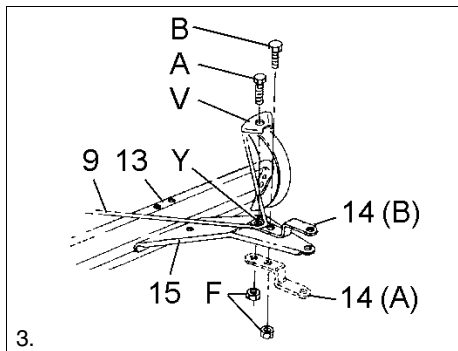
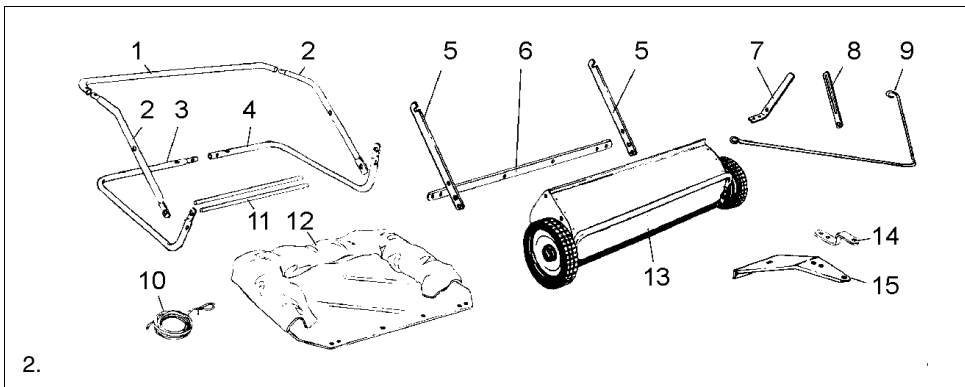
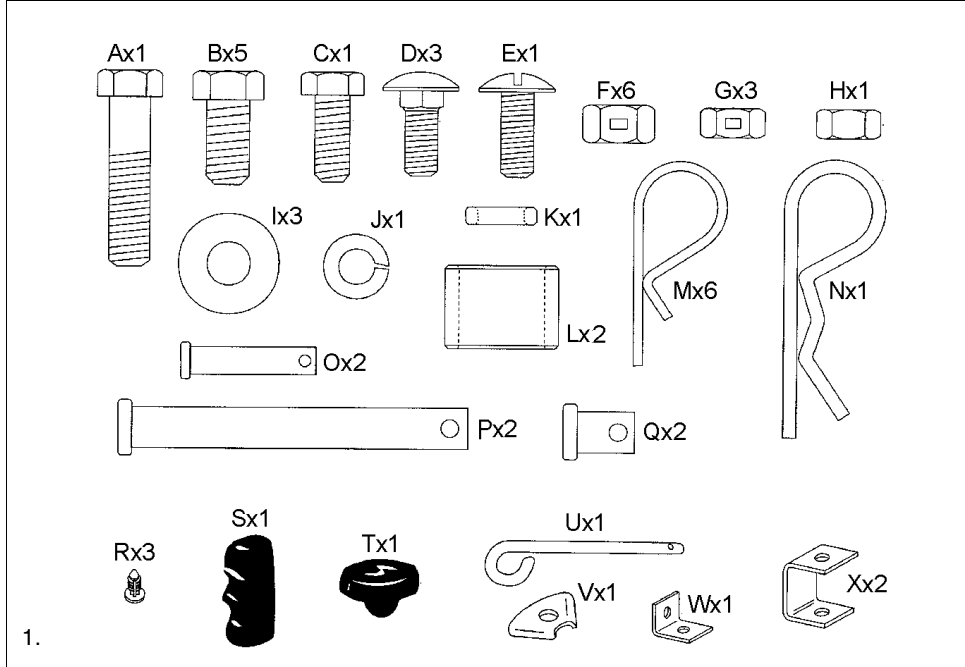
INSTRUCTIONS FOR USE

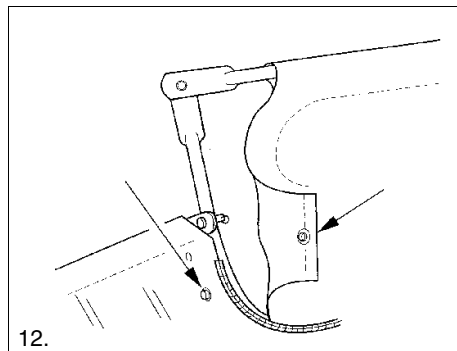
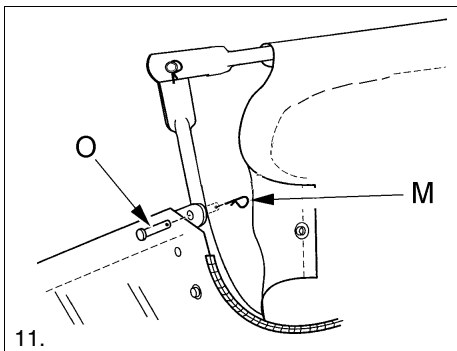
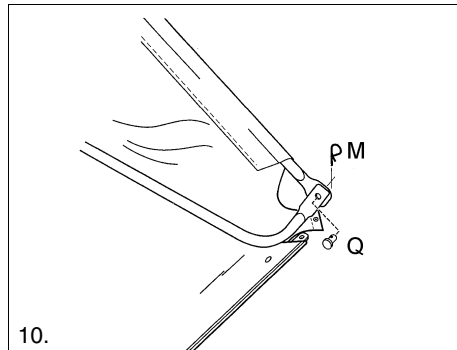
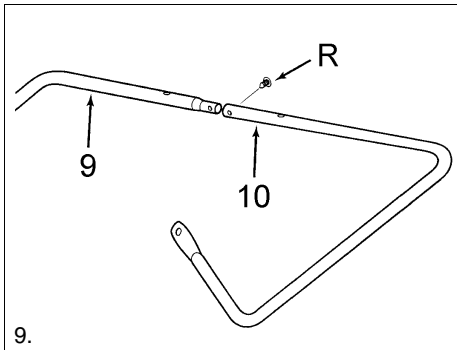
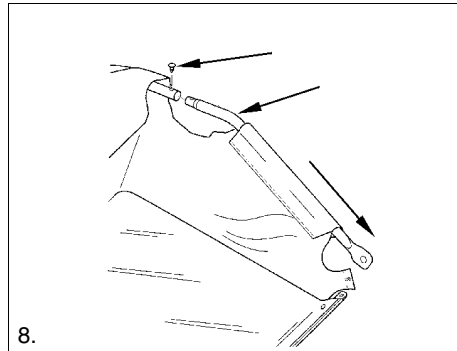
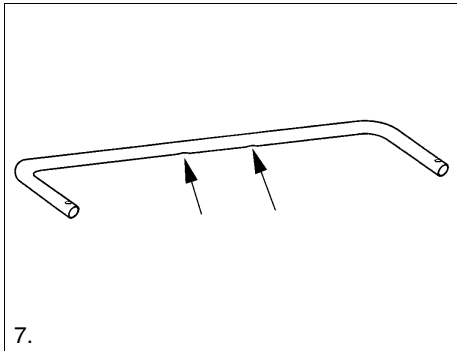
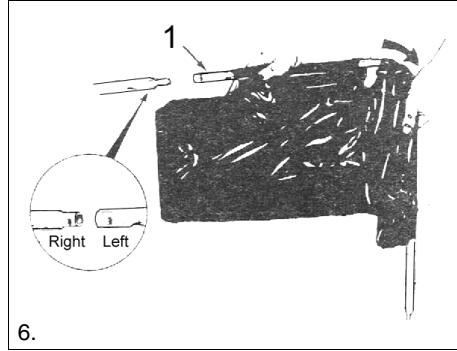
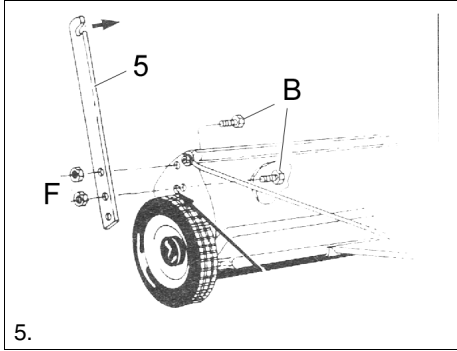
STIGA

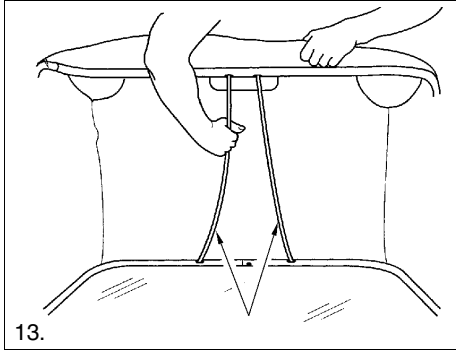
COLLECTOR 30"



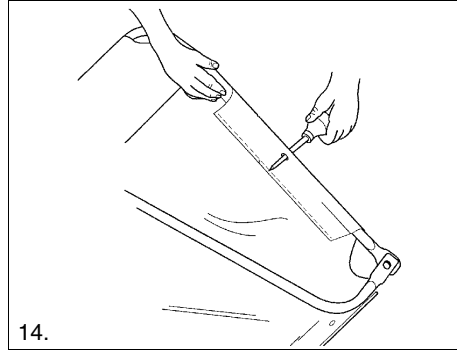
8211-1227-02



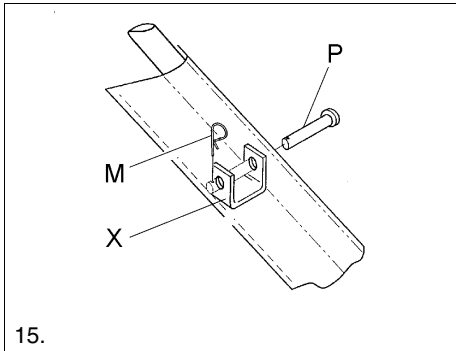




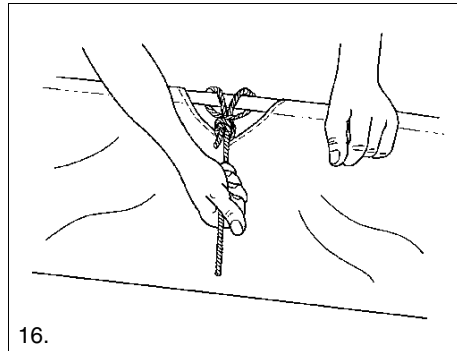
13.



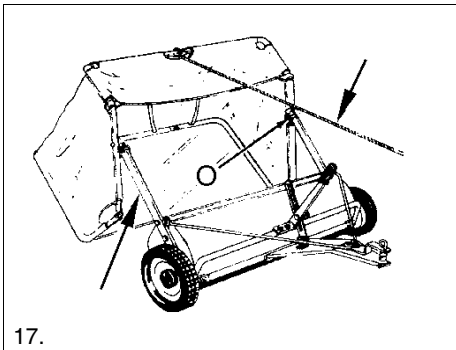
14.



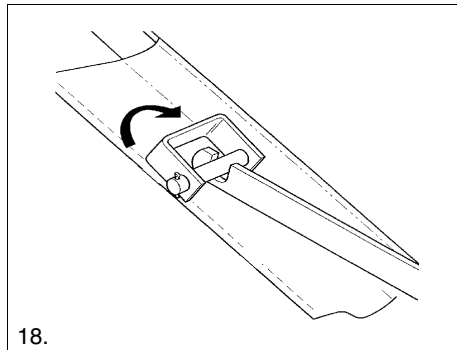
15.



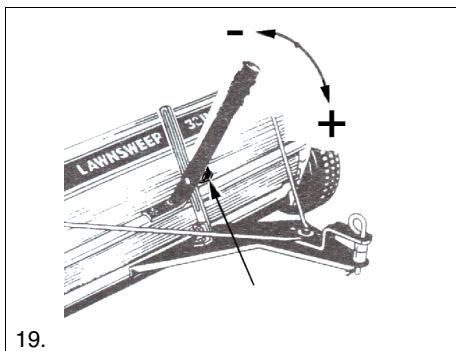
16.



17.



18.



19.

SAFETY INSTRUCTIONS

1. Never allow anyone to use the collector without correct instructions.
2. Do not allow children to use the collector.
3. Do not operate the machine too close to naked flames, as the hopper bag and the brushes are highly flammable.
4. Do not attempt to remove objects that have become caught up in the brush (e.g. pieces of string) while the brush is rotating.
5. Move at reduced speed over uneven surfaces and on slopes to ensure you do not lose control or the machine does not tip over. Watch out for holes and other hidden dangers.
6. This collector is not intended to be driven on public roads. Watch out for traffic when using the machine close to streets and roads.
7. Ensure that all screws and nuts are tightened so that the collector is in good condition.
8. Stop and check the collector for damage following a collision. Any damage must be repaired before the collector is used again.
9. Follow all the instructions in this set of instructions regarding maintenance of the collector.

DELIVERY

The delivery comprises a box containing the components in fig. 2 as well as a bag. The bag contains the installation components in fig. 1. The following number (x) indicates the quantity of the relevant component.

ASSEMBLY

Tools

The following tools are required for assembly:

- Adjustable wrench
- Box wrenches 3/8 - 7/16 - 1/2 - 9/16
- Screwdriver
- Pliers
- Hammer

Assembly of brush unit

Figures and letters in brackets refer to the figures.

1. See fig. 3. Undo the existing nuts in the middle on the front of the brush unit (1). Remove the flat washers. Position the connecting rod (15) on the carriage bolts. Install the washers and the nuts. Do not tighten the nuts yet.
2. See fig. 3. Install the strut (9) on the brush unit with the aid of two screws (D) with the heads on the inside of the brush unit. Position two washers (I) and two locking nuts (G) on the outside. Do not tighten the nuts yet.
3. See fig. 3. The installation of the angle (14) determines the height of the hopper bag above the ground (see below).
 - The bottom of the hopper bag must be horizontal.
 - The distance to the ground must be 8-10 cm when the height setting arm (7) is in the central position.
 - Never allow the hopper bag to drag on the ground.
 - By installing the angle on the top or bottom of the connecting rod (15), along with the spacers, many different heights can be obtained.
 - Test which installation best suits the lawnmower in question.

Continue assembly as follows:

- Install the angle (14) on the connecting rod with a screw (B) and a locking nut (F) in the front hole. Use a longer screw (A), the bracket (V) and a locking nut (F) in the rear hole. Position the strut (9) under the bracket (V). Do not tighten the nuts yet.
4. Tighten the nuts that were installed under point 3 above. Do not tighten too hard, as this could deform the tube. Press the connecting rod (15) down so that the strut (9) comes under the bracket (V), and press against the screw (A). Tighten all the screws and nuts that have been installed.
5. See fig. 4. Undo both locking nuts on the height setting tube (6). Remove the dished washers. Install the height setting lever (7) on the tube. Screw in the height setting lever.
6. Press the handle (S) onto the height setting lever with the finger grip facing forwards.
7. See fig. 4. Install the angle (W) on the connecting rod with a screw (C) and a locking nut (G).

8. Install the height setting strut (8) on the angle (W). Position the spacer (K) on the screw (E). Insert the screw with the spacer through the hole in the height setting strut and into the hole in the angle. Lock in place with the locking washer (J) and the nut (H).
9. Attach the other end of the height setting strut (8) to the height setting arm (7). Position the groove in the height setting strut opposite the square hole in the arm.
10. Screw into place with a carriage bolt (D), a flat washer (I) and the locking wheel (T).
11. See fig. 5. Install the two securing arms (5) on the outside of the brush unit. Screw the securing arms into the rear, lower holes with four screws (B) and four locking nuts (F).
NOTE! The grooves in the securing arms must be facing up.
12. Install the hitch pin (U) and the two spacers (L) in the connecting rod. Lock with the locking pins (N).

Assembling the hopper bag

Figures and letters in brackets refer to the figures.

1. See fig. 6, 7. Insert the left-hand, upper hopper bag tube (1) in the hopper bag flap. Start at the cut-out in the middle of the hopper bag's upper section. The holes in fig. 6 must be facing down.
2. Install the right-hand, upper hopper bag tube (1) in the same way and press the tubes together.
3. Secure the tubes by pressing in a plastic plug (R) through the holes.
4. See fig. 7. Locate the holes in the sides of the two upper hopper bag tubes. These will be used later.
5. See fig. 9. Assemble the two lower hopper bag tubes (3, 4).
6. See fig. 9. Secure the tubes by pressing in a plastic plug (R) through the holes.
7. Position the lower hopper bag tubes inside the hopper bag.
8. See fig. 10. Assemble the two upper and lower hopper bag tubes' ends using the pins (Q) and the locking pins (M).
9. See fig. 11. Attach the hopper bag's front strut to the lower hopper bag tubes using the pins (O) and the locking pins (M).
10. See fig. 12. Snap the hopper bag together around the bag tubes using the snap fasteners.



The hopper bag supports are made of powerful spring steel. Wear protective goggles during assembly.

11. See fig. 13. Tension the two sprung struts (11) in the rear part of the hopper bag.
12. See fig. 14. Locate the holes in the sides of the hopper bag and make holes with an awl or similar.
13. See fig. 15. Install the hopper bag locks (X), the pins (P) and the locking pins (M) in both sides of the hopper bag.
NOTE! The hopper bag locks must be able to move about freely.
14. See fig. 16. Install the line (15).
15. Install the wind protection on the rear upper section of the hopper bag.
16. See fig. 17, 18. Install the hopper bag on the brush unit.

USING THE MACHINE

Operating



Be careful when driving on slopes.

The vehicle's braking characteristics and stability can be affected by installed accessories or optional extras. Be particularly careful when driving on slopes.

Hopper bag height

Set the hopper bag so that its bottom is horizontal and is 8-10 cm above the ground when driving. See point 3 under "ASSEMBLY".

Brush height setting

Set the brushes to the correct height by undoing the locking wheel and then moving the arm up or down, see fig. 19. If the arm is moved down, the brushes are raised. The best results are obtained if the brushes sweep the top of the grass without touching the soil below. The brushes must not be lowered so much that the collector's wheels slide or slip.

Speed

- Test which speed produces the best results.
 - The speed should be selected so that the grass is thrown to the rear part of the hopper bag.
 - Recommended speed: 4.8 - 6.4 km/h.
-

Emptying

The collector's hopper bag is easily emptied by pulling the cord from the driver's seat.

Do not secure the cord to the ride-on mower in such a way that it catches in the wheels or in other rotating parts.

Do not drive too close to naked flames when using or emptying, as the hopper bag and the brushes can be damaged by heat or fire.

Always empty the hopper bag after each use.

Damp or wet grass and leaves can cause damage if stored for an extended period.

STORAGE

The hopper bag can be folded up if both the hopper bag supports (11) are removed. Requires less room for storage.

MAINTENANCE

The collector must be cleaned after each use. Dried on grass remains damage the collector and impair its performance. Carefully clean the inside of the hopper bag and clean the brushes of twigs etc.



Take care when rinsing with water. Make sure that no water penetrates into bearings and other moving parts.

Every two years, the wheels should be dismantled and the gear rim and the cog wheels lubricated with oil or thin grease.

To dismantle the wheel, snap off the wheel cap, disconnect the locking ring, remove the flat washer and then remove the wheel.

The collector's bearings are lubricated in the factory. However, you are recommended to apply a few drops of oil on the brush axle bearings a couple of times a year.



MOWING AHEAD

GGP Sweden AB · Box 1006 · SE-573 28 TRANÅS

www.stiga.com